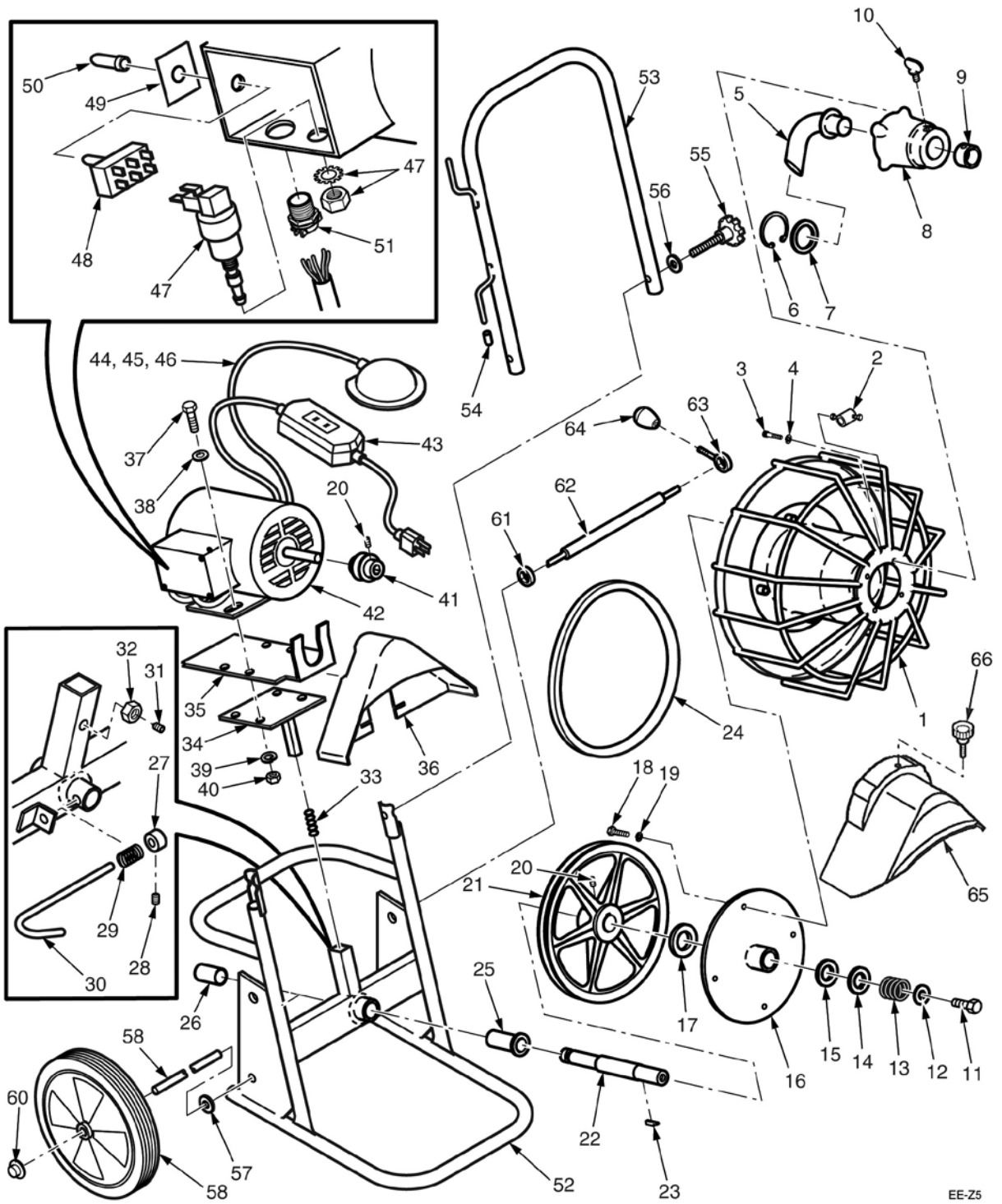


# MODEL Z5 DRAIN CLEANING MACHINE



## MODEL Z5 DRAIN CLEANING MACHINE

ITEM NUMBER	PART NUMBER	DESCRIPTION	AMT
1	Z-6*	Welded Drum/Cage Assembly . . . . .	1
2	DN-6	Cable Anchor . . . . .	1
3	MS102412HH	10-24 x 1/2 Hex Head Machine Screw . . . . .	4
4	LW10	Lockwasher . . . . .	4
	ED-4A**	Guide Tube and Bracket Assembly . . . . .	1
5	ED-4	Guide Tube). . . . .	1
6	RR175	Retaining Ring . . . . .	1
7	N-5-4	Retaining Washer . . . . .	1
8	ED-5	Bracket . . . . .	1
9	ED-6	Collar. . . . .	1
10	WS516	5/16-18 Wing Screw . . . . .	1
	EE-1A***	Drive Assembly w/Clutch 1 . . . . .	1
11	CSHH12201	1 1/2-20 x 1 Hex Head Capscrew . . . . .	1
12	WA716P	Flatwasher . . . . .	1
13	N-14	Spring . . . . .	1
14	EE-3	Drive Disc . . . . .	1
15	EE-4	Front Friction Disc . . . . .	1
16	EE-2	Drum Mounting Plate . . . . .	1
17	EE-5	Rear Friction Disc . . . . .	1
18	CSHH142034	1/4-20 x 3/4 Hex Head Capscrew . . . . .	4
19	LW14	Lockwasher . . . . .	4
20	SS51618516	5/16-18 x 5/16 Set Screw . . . . .	2
21	EE-6	10" Pulley). . . . .	1
22	EE-1	Drive Shaft . . . . .	1
23	N-15	Clutch Key. . . . .	1
24	4L390	V-Belt). . . . .	1
25	0BSF243216	Front Bronze Bushing . . . . .	1
26	0BSS243220	Rear Bronze Bushing . . . . .	1
27	EE-8	Retainer Pin Collar . . . . .	1
28	SS103218	10-32 x 1/8 Set Screw . . . . .	1
29	EE-15	Retainer Pin Spring . . . . .	1
30	EE-7	Retainer Pin. . . . .	1
31	SS5162458DP	5/16-24 Set Screw Dog Point . . . . .	1
32	NU51624FHP	5/16-24 Hex Nut . . . . .	1
33	EE-9	Motor Tension Spring . . . . .	1
34	R-23	Motor Mount . . . . .	1
35	R-22	Adapter Plate. . . . .	1
36	EE-12	Belt Guard . . . . .	1
37	CSHH516181	Motor Mount Capscrews. . . . .	4
38	WA516S	Motor Mount Flatwashers . . . . .	4
39	LW516	Motor Mount Lockwasher. . . . .	4
40	NU51618FHP	Motor Mount Nuts. . . . .	4
41	N-8	Motor Pulley . . . . .	1

Continued on next page >

## MODEL Z5 DRAIN CLEANING MACHINE

ITEM NUMBER	PART NUMBER	DESCRIPTION	AMT
42	EM-1/3	1/3 H.P. Motor w/Fwd-Rev Switch . . . . .	1
43	GFCI	Ground Fault Circuit Interrupter w/Cord . . .	1
44	FP-1A****	Air Foot Pedal Transmitter w/Air Hose . . . .	1
45	FP-1	Foot Pedal Only. . . . .	1
46	FP-2	Air Hose Only . . . . .	1
47	TBS3218	Air Activated On/Off Switch. . . . .	1
48	SW-FR	Forward/Reverse Switch . . . . .	1
49	SW-FRP	Forward/Reverse Switch Plate . . . . .	1
50	SW-BOOT	Toggle Switch Boot. . . . .	1
51	TSC12	Two-Screw Connector. . . . .	1
	Z-1A*****	Frame Assembly . . . . .	1
52	Z-1	Frame Base . . . . .	1
53	Z-2A	Frame Handle . . . . .	1
54	DL6CAP	Cord Hook Cap . . . . .	2
55	DE-7	Tension Handle . . . . .	2
56	WA38S	Flatwasher . . . . .	2
57	WA12S	Flatwasher . . . . .	8
58	Z-5	Axle . . . . .	1
59	C-W10	10" Diameter x 5/8 Wheel. . . . .	2
60	PN12	Pushnuts . . . . .	2
61	DF-8	Brake Rod Collar. . . . .	1
62	Z-4	Brake Rod . . . . .	1
63	Z-3	Brake Lever. . . . .	1
64	DE-14	Brake Lever Knob . . . . .	1
65	EE-16	Belt Guard . . . . .	1
66	TS14	Thumb Screw. . . . .	1

- \* Includes Item 2
- \*\* Includes Items 5-10
- \*\*\* Includes Items 11-23
- \*\*\*\* Includes Items 45 and 46
- \*\*\*\*\* Includes Items 25-32 and 52-59

# *Electric Eel*®



**ELECTRIC EEL MANUFACTURING CO., INC.**

501 West Leffel Lane, Springfield, Ohio 45501-9985

Call Toll Free: (800) 833-1212 (937) 323-4644 FAX: (937) 323-3767

[www.electriceel.com](http://www.electriceel.com)

*Proudly Made in The USA Since 1939*