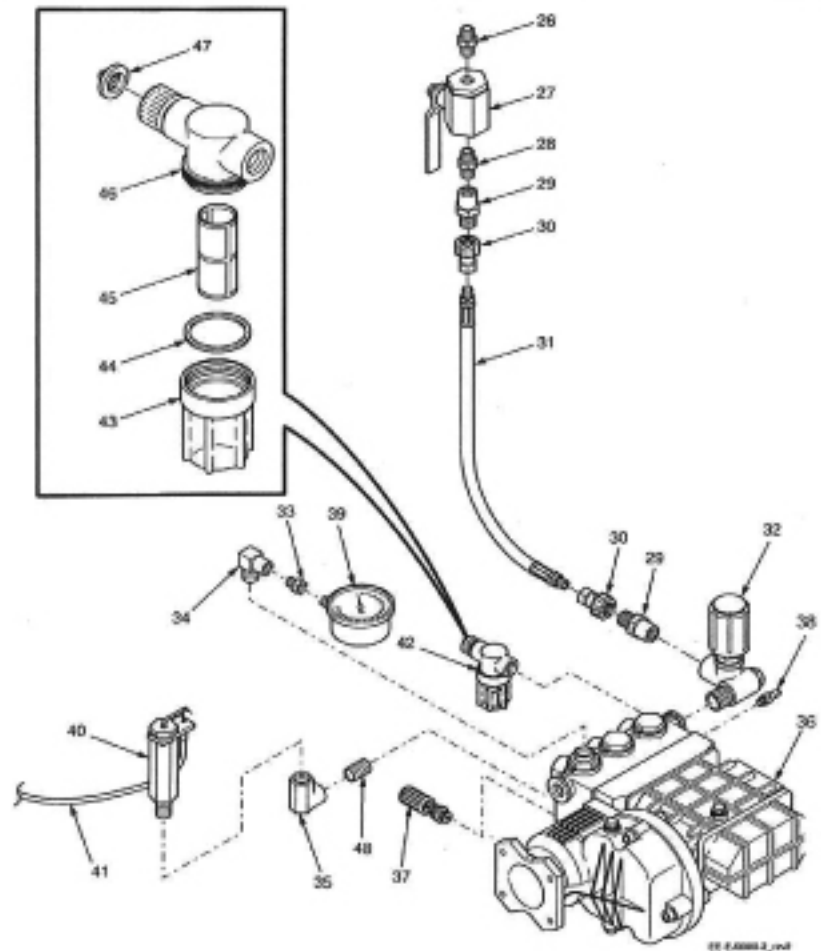
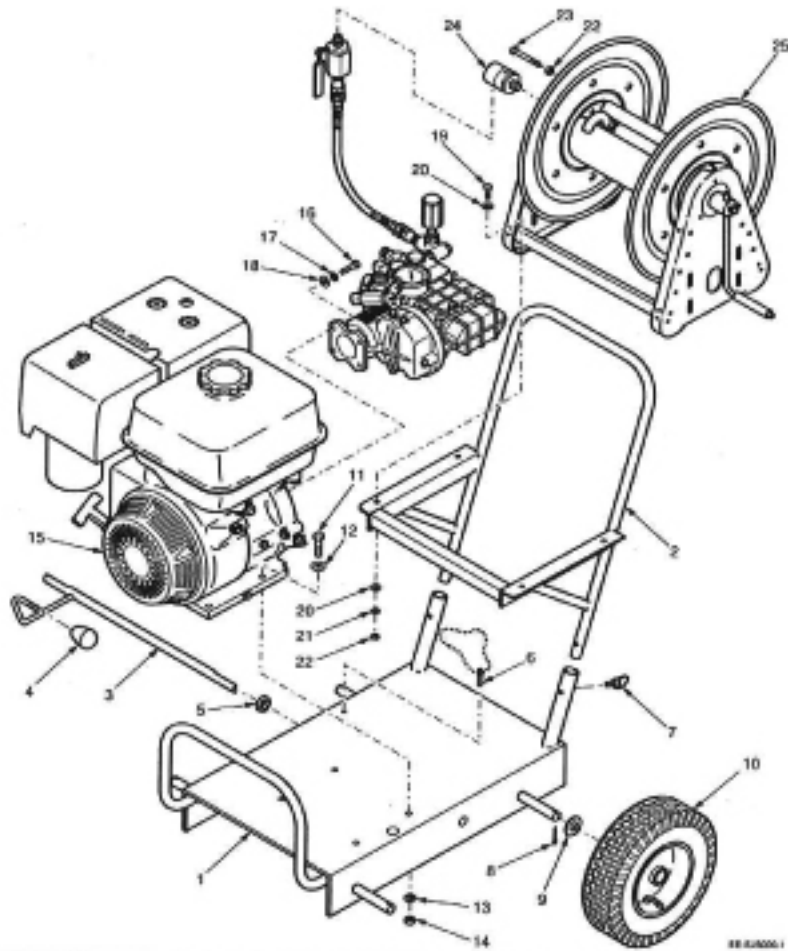


MODEL EJ3000 DRAIN CLEANING MACHINE



MODEL EJ3000 DRAIN CLEANING MACHINE

ITEM #	PART #	DESCRIPTION	AMT	ITEM #	PART #	DESCRIPTION	AMT
1	JB-1A	Jetter Base	1	25	3000-HR*	Reel Assy. – Reel Craft	1
2	JB-2A	Handle Reel Support	1	26	33250808	1/2 Nipple	1
3	JB-3A	Brake Shaft	1	27	3000-BV	1/2 Ball Valve	1
4	DE-14	Brake Lever Knob	1	28	33250806	Reducer	1
5	DF-8	Brake Shaft Collar	2	29	33415	Male Quick Connect Coupler	2
6	JB-5	Brake Retainer Pin	1	30	33411	Female Quick Connect Coupler	2
7	DL-4	Thumb Screw	2	31	JB-6	Pony Hose	1
8	CP532114	3/32 x 1 1/4 Cotter Pin	4	32	3000-ULVU	Unloader – UDOR	1
9	D-WA34P	3/4 USS Flatwasher	4	33	32200604	Bushing	1
10	325-WP4108	Wheel and Tire Assy.	4	34	55020606	3/8 Elbow	1
11	CSHH3816134	3/8-16 x 1 3/4 Hex Head Screw	4	35	509053*****	Elbow	1
12	WA38S	3/8 SAE Flatwasher	4	36	519488	Pump/Gearbox Assy.	1
13	LW38	3/8 Lockwasher	4	37	3000-PVU***	Pulse Valve – UDOR	4
14	NU3816FHP	3/8 Hex Nut	4	38	3000-TRVU****	Thermal Relief Valve – UDOR	1
15	EJE-13	Engine 13 HP	1	39	3000-PG	Pressure Gauge	1
16	CS51624114G5	5/16-24 x 1 1/4 Hex Head Screw	4	40	3000-TBV	Throttle Back Valve and Cable	1
17	LW516	5/16 Lockwasher	4	41	3000-TBVC	Throttle Back Valve Cable Only	1
18	1500-HRSWSE	5/16 SAE Flatwasher	4	42	3000-FBA	Filter Bowl Assy.	1
19	CSHH516181	5/16-18 x 1 Hex Head Screw	4	43	3000-FB	Filter Bowl	1
20	WA516S	5/16 SAE Flatwasher	8	44	3000-FBG	Gasket	1
21	LW516	5/16 Lockwasher	4	45	3000-FBS	Filter Screen	1
22	NUS1618FHP	5/16 Hex Nut	6	46	3000-FBC	Filter Cap	1
23	CSHH51618234	5/16-18 x 2 3/4 Hex Head Screw	2	47	3000-IS	Inlet Screen	1
24	3000-HRSWRC*	Swivel Assy. – Reel Craft	1	48	33250606	3/8 Nipple	1

* Prior to SN 1126 (July 24, 1996) use Hose Tract Swivel (Part #1244A) and Reel Assy.

** Use for Serial #1311 and #1316 to present. Use Giant Part #22995A (Part #23720 replaced 22995A August 2001) for Serial #1071 and #1076 to #1315. Use Cat Part #7572 for Serial #1075 and earlier.

*** Use for Serial #1311 and #1316 to present. Use Giant Part #8199 for Serial #1071 and #1076 to #1315.

**** Use for Serial #1311 and #1316 to present. Use Giant Part #509-306 for Serial #1071 and #1076 to #1315.

***** Prior to Serial #1311 use 509056. Item 48 not required with 509056 elbow.