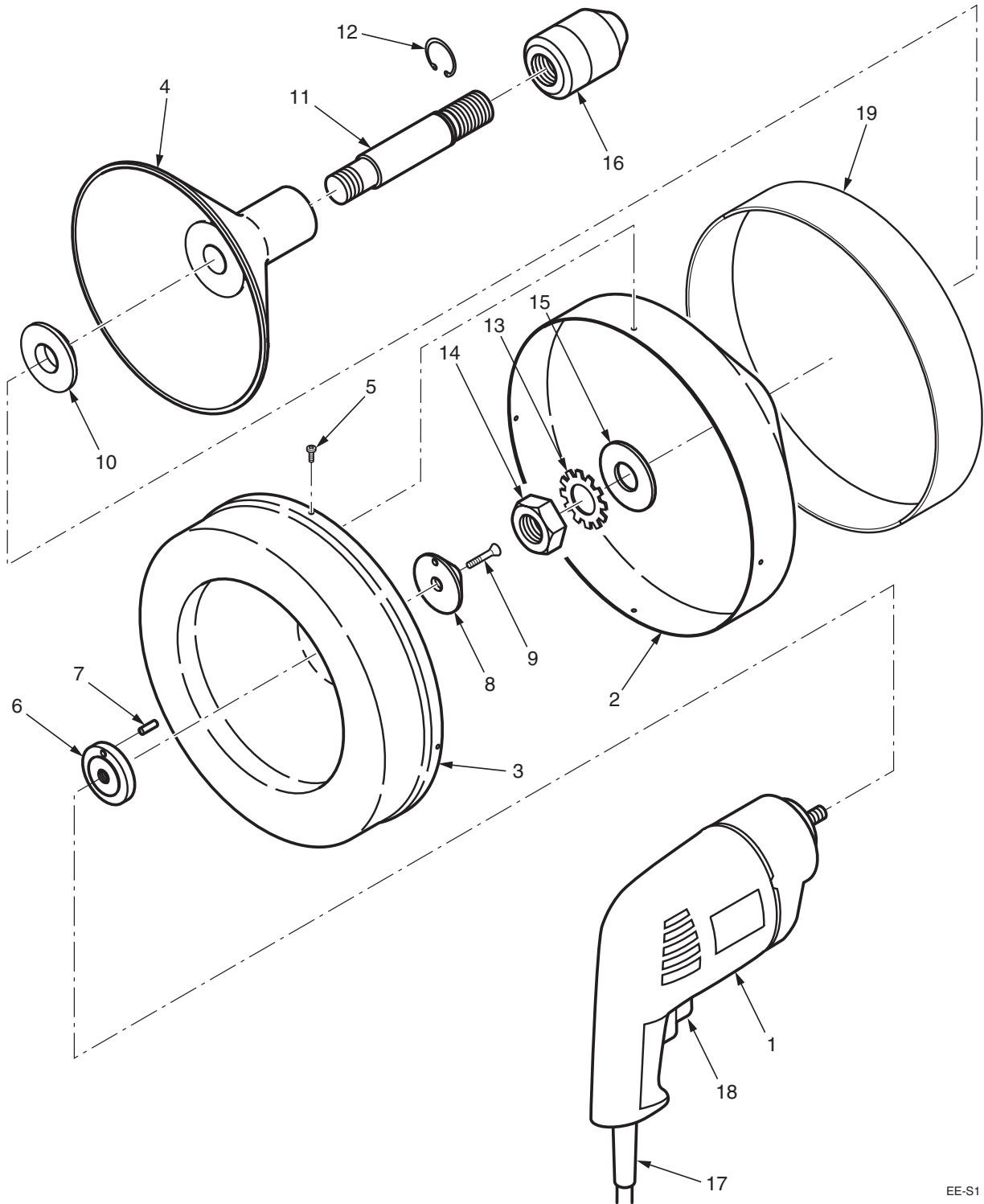


# MODEL S DRAIN CLEANING MACHINE



EE-S1

## MODEL S DRAIN CLEANING MACHINE

ITEM NUMBER	PART NUMBER	DESCRIPTION	AMT
1	S-DRL	Replacement Drill . . . . .	1
2	S-1	Stainless Steel Drum . . . . .	1
3	S-2	Drum Cover . . . . .	1
4	S-4	Hand Guard . . . . .	1
5	MS63238SS	Stainless Sheet Metal Screw . . . . .	1
6	S-7 (See Note 1)	Spacer . . . . .	1
7	RP1812	Spiral Pin for S-7 . . . . .	1
8	S-8	Lock Collar . . . . .	1
9	LHS103278	Left Hand Thread Screw . . . . .	1
10	S-6	Collar . . . . .	1
11	S-5 (See Note 2)	Spindle . . . . .	1
12	RR87	Retaining Ring . . . . .	1
13	LW34E	External Lockwasher . . . . .	1
14	NU3416J	Hex Jam Nut . . . . .	1
15	S-9	Washer . . . . .	1
16	S-JC	Jacobs Chuck . . . . .	1
17	S-PC	Plug In Cord . . . . .	1
18	S-TRSW (See Note 3)	Trigger Switch . . . . .	1
19	S-EDB	Elastic Drum Band . . . . .	1

**Note:**

- 1 Includes Item 7
- 2 S-5A Includes Items 10 through 15
- 3 Prior to Serial No. 13871 use Part Number S-TRSWO - April 1999