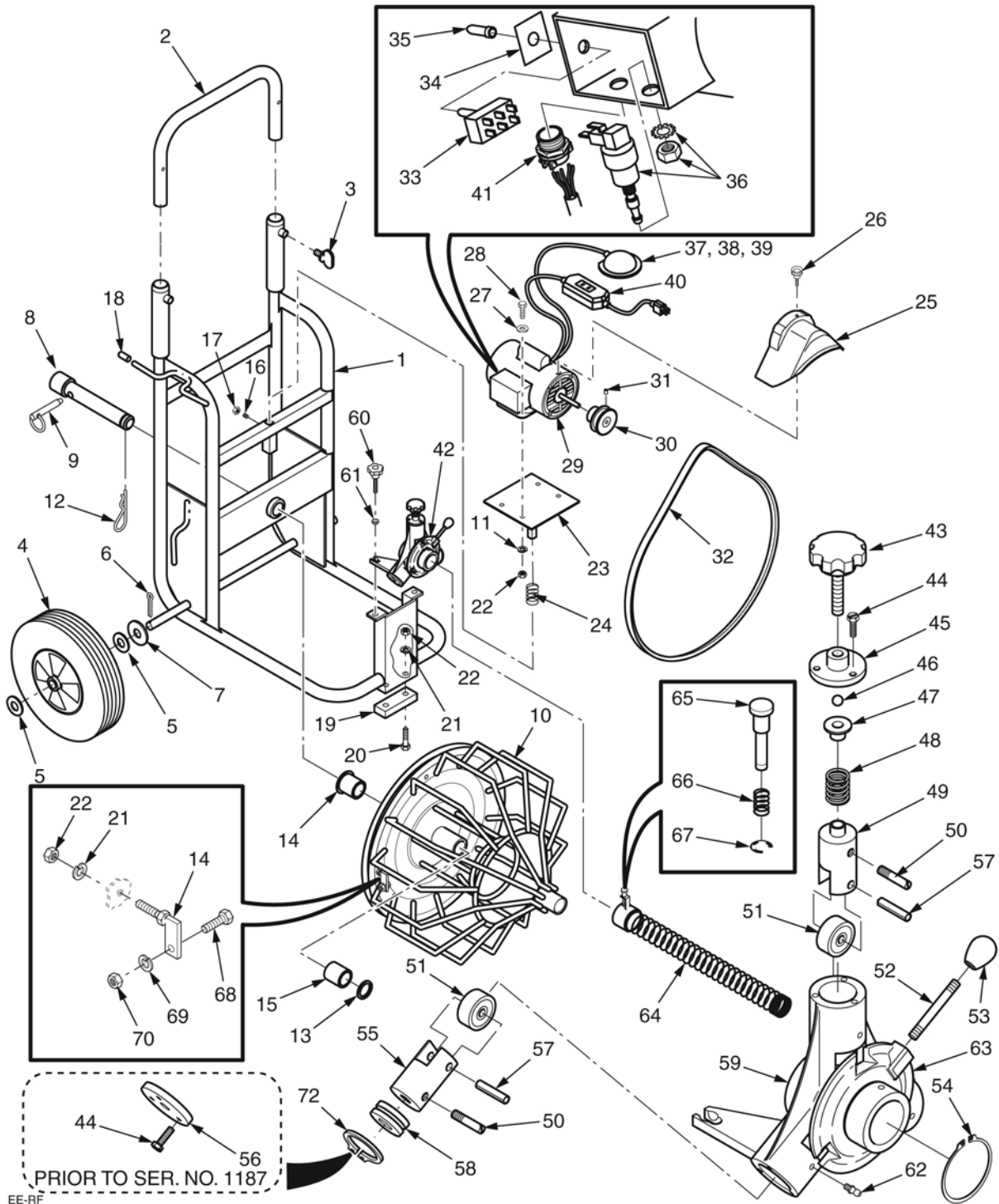


# MODEL RF DRAIN CLEANING MACHINE



## MODEL RF DRAIN CLEANING MACHINE

ITEM NUMBER	PART NUMBER	DESCRIPTION	AMT
1	RF1	Frame. . . . .	1
2	RF2	Handle. . . . .	1
3	DL-4	Thumb Screw . . . . .	2
4	R-W10	10" dia. x 5/8" Wheel . . . . .	2
5	WA58P	Washer. . . . .	4
6	CP532114	Cotter Pin . . . . .	2
7	D12	Wheel Spacer. . . . .	2
8	RF3	Cage Axle . . . . .	1
9	RF3RP	Axle Retaining Pin . . . . .	1
10	R-20*	Cable Cage . . . . .	1
11	R-14	Cable Anchor. . . . .	1
12	RFHPC	Cage Hairpin Clip . . . . .	1
13	RF4	Cage Spacer. . . . .	1
14	OBSF324016	Rear Cage Bushing . . . . .	1
15	OBSS324216	Front Cage Bushing. . . . .	1
16	SS5162458DP	5/16- x 5/8 Set Screw . . . . .	1
17	NU51624FHP	5/16-24 Hex Nut . . . . .	1
18	DL6CAP	Cord Hook Cap . . . . .	3
19	D47	Rubber Pad . . . . .	1
20	CSHH516181	5/16-18 x 1 1/4 Cap Screw . . . . .	2
21	LW516	5/16" Lockwasher . . . . .	6
22	NU51618FHP	5/16" Hex Nut . . . . .	6
23	EE-23	Motor Mount. . . . .	1
24	EE-9	Motor Tension Spring . . . . .	1
25	R-24	Belt Guard . . . . .	1
26	TS14	Thumb Screw 1/4". . . . .	1
27	WA516S	5/16" Washer. . . . .	4
28	CSHH516181	5/16-18 x 1 Cap Screw . . . . .	4
29	RM-1/3	Motor 1/3 HP. . . . .	1
30	N-8	Motor Pulley . . . . .	1
31	SS51618516	5/16-18 x 5/16" Set Screw. . . . .	
32	A-48	V-belt. . . . .	1
33	SW-FR	Forward/Reverse Switch	1
34	SW-FRP	Forward/Reverse Switch Plate . . . . .	1
35	SW-BOOT	Forward/Reverse Switch Boot. . . . .	1
36	TBS3218	Air Activated On/Off Switch. . . . .	1
37	FP-1A**	Foot Pedal and Hose Assy. . . . .	1
38	FP-1	Foot Pedal . . . . .	1
39	FP-2	Air Hose . . . . .	1
40	GFCI	Ground Fault Circuit Interrupter . . . . .	1
41	TSC12	Two Screw Connector. . . . .	1
42	DE-23A***	Feeder Assembly . . . . .	1
43	DE-7	Tension Handle w/Shaft . . . . .	1
44	MSHH102434	10-24 x 3/4" Cap Screw . . . . .	9

## MODEL RF DRAIN CLEANING MACHINE

ITEM NUMBER	PART NUMBER	DESCRIPTION	AMT
45	DE-5	Top Feeder Head Cap . . . . .	1
46	BB38	3/8" Ball Bearing. . . . .	1
47	DE-8	Ball Bearing Retainer . . . . .	1
48	DE-9	Tension Spring. . . . .	1
49	DE-3	Top Feeder Insert. . . . .	1
50	DE-12	Feeder Control Finger. . . . .	3
	DE-10SET	Feeder Bearing Set . . . . .	3
51	DE-10	Feeder Bearing . . . . .	3
52	DE-13	Control Lever . . . . .	1
53	DE-14	Control Lever Knob. . . . .	1
54	RR-237	Retaining Ring . . . . .	1
55	DE-22*****	Lower Feeder Insert. . . . .	2
56	DE-6	Lower Feeder Head Cap . . . . .	2
57	RP516138	5/16-18 x 1 3/8" Roll Pin . . . . .	3
58	DE-11	Feeder Insert Bearing . . . . .	2
59	DE-23*****	Feeder Head Body. . . . .	1
60	DE-15	Feeder Anchor Bolts . . . . .	2
61	DE-16	Feeder Anchor Washer . . . . .	2
62	GZ1428S	Grease Zerk 1/4-28 Short . . . . .	3
63	DE-2	Feeder Face Plate . . . . .	1
64	DE-18A****	Cable Guide Spring Assy . . . . .	1
65	DE-19	Guide Spring Lock Pin . . . . .	1
66	DE-20	Guide Lock Pin Spring . . . . .	1
67	RR25	Retaining Ring . . . . .	1
68	CSHH14201	Cap Screw Hex Head 1/4-20 x 1 . . . . .	1
69	LW14	Lockwasher 1/4 . . . . .	1
70	NU1420FHP	1/4"-20 Hex Nut . . . . .	1
71	FP-3	Hose Clamp. . . . .	2
72	RR-137*****	Retaining Ring . . . . .	1

- \* Includes Items 10 through 15, 21, 22, 68, 69, and 70
- \*\* Includes Items 37, 38, 39, and 71
- \*\*\* Includes Items 42, 43 through 63. Prior to Serial No. 1187, Item 42 Part No. is DE-21A
- \*\*\*\* Includes Items 64 through 67
- \*\*\*\*\* Prior to Serial No. 1187, Item No. 55 Part No. is DE-4
- \*\*\*\*\* Prior to Serial No. 1187, Item No. 59 Part No. is DE-21
- \*\*\*\*\* Prior to Serial No. 1187, Item No. 44 and 56 were used